

Folded Towel Dispenser

Popular single towel dispenser accommodates C-Fold, Multi-Fold & Single Fold towels in a full size unit

KEY OPERATING FEATURES

Towel Type: Single Fold, C-Fold and Multi-Fold

SIZE & CAPACITY

Width: 11.0" (279mm)

Capacity: Triple stack

CONSTRUCTION

Material: Tough, easy to clean industrial plastic

Hinge: Side hinge for easy loading

Locks: Generic, fixed or proprietary key available

ADDITIONAL FEATURES

- Compact unit to accommodate any washroom design
- Larger towel encourages one-towel-per-user to save paper
- Load new stack of towels before the dispenser is completely empty
- Mouth adaptor available to accommodate various paper grades



**FT311-35
White**



**FT311-35
Black**



Insertable Mouth Adaptor (FI111-00) available for dispensing of smaller format towel

Side hinge for quick and easy loading

FT311-35

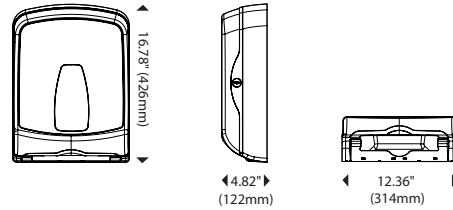
Folded Towel Dispenser

Popular single towel dispenser accommodates C-Fold, Multi-Fold & Single Fold towels in a full size unit

Dispenser Specifications:

Finish/Color: White cover and back housing
Black cover and back housing

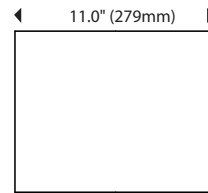
Dispenser Dimensions



Paper Specifications:

Paper Capacity: Accommodates 3 packs of folded towels
Paper Width: 11.0" (279mm) max

Paper Dimensions



Shipping Specifications:

Weight in Case: 3.8 lbs (1.7kg)
Case Dimensions (L x W x H): 17 1/4" x 5 5/8" x 13 11/16"
(438mm x 143mm x 348mm)

Units per Case: 1

North America

Cases/Pallet*: 192
Weight/Pallet*: 774.6 lbs (351.4kg)

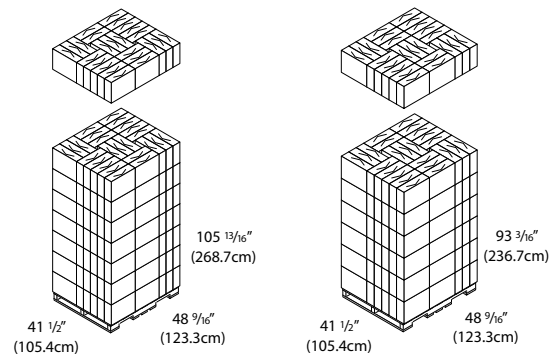
International

Cases/Pallet*: 168
Weight/Pallet*: 683.4 lbs (310.0kg)

SKU: **FT311-35**

*Subject to change to maximize container load

Shipping Configurations



North America

International

Dispensing solutions to grow your business!

We offer the widest array of options in the industry, customizing solutions to give you the functional capabilities, proprietary lock-outs features, and aesthetic choices you need to support your business strategy.

Start dispensing value today!
www.DispensingDynamics.com



Corporate Headquarters
1020 Bixby Drive
City of Industry, CA 91745
U.S.A.
(1) 800-888-3698

International Sales Office
19440 Enterprise Way
Surrey, BC V3S 6J9
Canada
(1) 888-225-7380

