

Convertible Soap Dispenser

Flexible one-handed soap dispenser can be configured to accommodate cartridges or bulk supply

KEY OPERATING FEATURES

- Refill Type:** Versatile to accommodate rigid cartridges, bags, or bulk supply
- Product Form:** Liquid, foam, or spray
- Valve:** Permanent or replacement inside each refill

CAPACITY

- Size Refill:** 800ml cartridge or 1000ml bulk
- # of Refills:** Single

CONSTRUCTION

- Material:** Tough, easy to clean industrial plastic
- Locks:** Top button or keyed locks available

ADDITIONAL FEATURES

- Soap level window lets staff know when to refill
- Proprietary lockout features available



**SD110-05
White**



**SD110-05
Black**



Bag-in-Box



Bulk Foam



**Proprietary
Disc Pump**



Bulk Fill Hose



**Bulk Fill
Hose/Blister**

Configure dispenser to choice of:

- Refill type (cartridge, bag, bulk)
- Dispensing format (liquid, foam or spray)

SD110-05

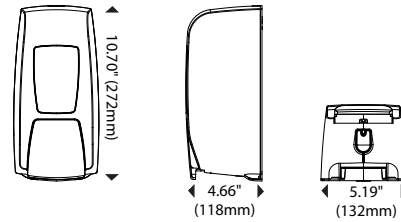
Convertible Soap Dispenser

Flexible one-handed soap dispenser can be configured to accommodate cartridges or bulk supply

Dispenser Specifications:

Finish/Color: White cover and back housing
Black cover and back housing

Dispenser Dimensions



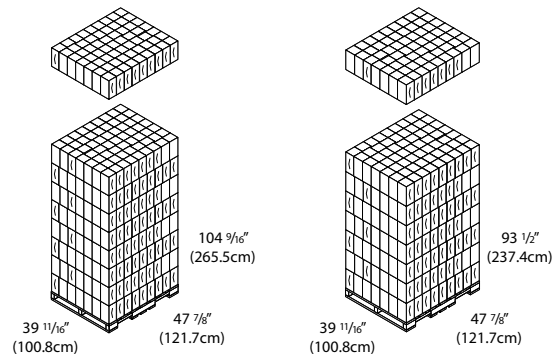
Refill Specifications:

Capacity: 800ml cartridge or 1000ml bulk soap

Shipping Specifications:

Weight in Case: 1.5 lbs (0.7kg)
Case Dimensions (L x W x H): 11 1/16" x 5 3/16" x 5 3/4" (281mm x 132mm x 146mm)
Units per Case: 1
North America
Cases/Pallet*: 1764
Weight/Pallet*: 2691.0 lbs (1220.6kg)
International
Cases/Pallet*: 1584
Weight/Pallet*: 2421.0 lbs (1098.1kg)
SKU: **SD110-05**
(formerly SD133-05)

Shipping Configurations



North America

International

*Subject to change to maximize container load

Dispensing solutions to grow your business!

We offer the widest array of options in the industry, customizing solutions to give you the functional capabilities, proprietary lock-outs features, and aesthetic choices you need to support your business strategy.

Start dispensing value today!
www.DispensingDynamics.com



Corporate Headquarters
1020 Bixby Drive
City of Industry, CA 91745
U.S.A.
(1) 800-888-3698

International Sales Office
19440 Enterprise Way
Surrey, BC V3S 6J9
Canada
(1) 888-225-7380