

# Convertible Soap Dispenser

**Flexible one-handed soap dispenser can be configured to accommodate cartridges or bulk supply**

## KEY OPERATING FEATURES

- Refill Type:** Versatile to accommodate rigid cartridges, bags, or bulk supply
- Product Form:** Liquid, foam, or spray
- Valve:** Permanent or replacement inside each refill

## CAPACITY

- Size Refill:** 800ml cartridge or 1000ml bulk
- # of Refills:** Single

## CONSTRUCTION

- Material:** Tough, easy to clean industrial plastic
- Locks:** Top button or keyed locks available

## ADDITIONAL FEATURES

- Soap level window lets staff know when to refill
- Proprietary lockout features available



**SD110-35  
White**



**SD110-35  
Black**



**Bag-in-Box**



**Bulk Foam**



**Proprietary  
Disc Pump**



**Bulk Fill Hose**



**Bulk Fill  
Hose/Blister**

*Configure dispenser to choice of:*

- Refill type (cartridge, bag, bulk)
- Dispensing format (liquid, foam or spray)

**SD110-35**

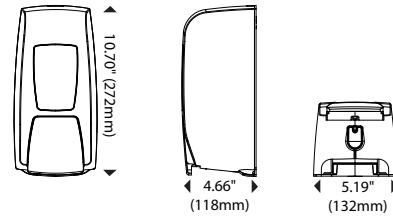
**Convertible Soap Dispenser**

Flexible one-handed soap dispenser can be configured to accommodate cartridges or bulk supply

**Dispenser Specifications:**

Finish/Color: White cover and back housing  
Black cover and back housing

**Dispenser Dimensions**



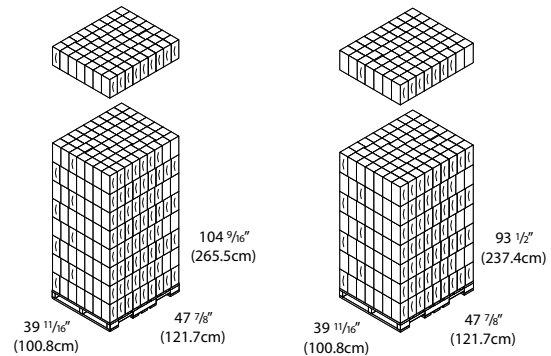
**Refill Specifications:**

Refill Capacity: 800ml cartridge or 1000ml bulk

**Shipping Specifications:**

Weight in Case: 1.5 lbs (0.7kg)  
Case Dimensions (L x W x H): 11 1/16" x 5 3/16" x 5 3/4" (281mm x 132mm x 146mm)  
Units per Case: 1  
**North America:**  
Cases/Pallet\*: 1764  
Weight/Pallet\*: 2691.0 lbs (1220.6kg)  
**International**  
Cases/Pallet\*: 1584  
Weight/Pallet\*: 2421.0 lbs (1098.1kg)  
SKU: **SD110-35**  
(formerly SD133-35)

**Shipping Configurations**



**North America**

**International**

\*Subject to change to maximize container load

**Dispensing solutions to grow your business!**

We offer the widest array of options in the industry, customizing solutions to give you the functional capabilities, proprietary lock-outs features, and aesthetic choices you need to support your business strategy.

**Start dispensing value today!**  
[www.DispensingDynamics.com](http://www.DispensingDynamics.com)



City of Industry site



**Corporate Headquarters**  
1020 Bixby Drive  
City of Industry, CA 91745  
U.S.A.  
**(1) 800-888-3698**

**International Sales Office**  
19440 Enterprise Way  
Surrey, BC V3S 6J9  
Canada  
**(1) 888-225-7380**