

PowerMax 2.0 8" Electronic Roll Towel

**Extended battery life —
tested up to 100,000 cycles!**

KEY OPERATING FEATURES

- No Touch:** Hygienic hands-free operation
- Cutting System:** Tear bar
- Paper Mode:** Hidden or exposed
- Activation:** Electronic
- Emergency Feed:** Manual override with side turn knob

CAPACITY

- Roll Width:** Standard 8.0" (203mm); accommodates from 7.5" to 8.1" (191mm to 206mm)
- Roll Diameter:** 8.0" (203mm) max
- Fixed Sheet Length:** Enables fixed cost in use

CONSTRUCTION

- Roll Holder:** Proprietary options available
- Modularity:** Replaceable module enables electronic conversion to Smart-Cut®
- Locks:** Generic, fixed or proprietary keys
- Material:** Impact and chemical resistant plastic

ADDITIONAL FEATURES

- Easy loading with quick access and exposed roll holders
- Adjustable time delay between cycles to control usage pattern



**AT108-53
'B' Look**



**AT108-50
'A' Look**



Paper Hidden
(healthcare mode)



Paper Exposed
(high traffic mode)

*With a simple flick of an internal switch,
the installer can set the dispenser to
paper hidden or paper exposed mode*



*Manual feed system — side turn knob
ensures that users can get paper even
if batteries run out*

AT108-53 & AT108-50

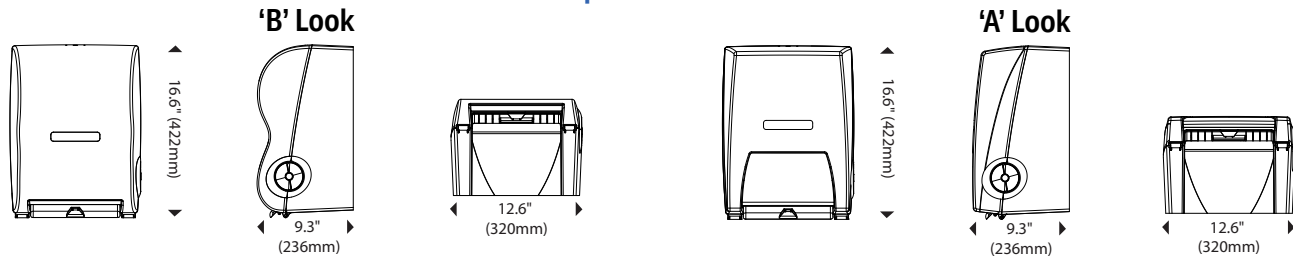
PowerMax 2.0 8" Electronic Roll Towel

Extended battery life — tested up to 100,000 cycles!

Dispenser Specifications:

Finish/Color: Transparent smoke cover; black back housing
 Batteries: 4 D-cell (not included)
 Weight with Batteries: 5.1 lbs (2.3kg)

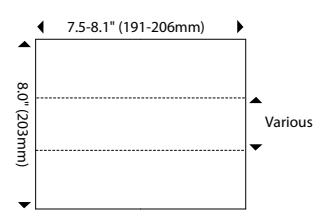
Dispenser Dimensions



Paper Specifications:

Paper Capacity: 1 roll
 Roll Width: 7.5" to 8.1" (191mm to 206mm)
 Roll Diameter: 8.0" (203mm) max
 Sheet Length: 12.0" (305mm)
 Core Size: Roll holders of various sizes, and proprietary options, are available

Roll Dimensions



Shipping Specifications:

Weight in Case: 5.1 lbs (2.3kg)
 Case Dimensions (L x W x H): 17" x 13" x 10 3/8"
 (432mm x 330mm x 264mm)
 Units per Case: 1

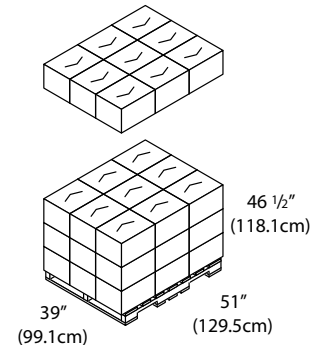
North America:

Cases/Pallet*: 36
 Weight/Pallet*: 333.0 lbs (151.0kg)
 International: Contact us for information

SKU:

AT108-53 - 'B' Look
 (replaces MTE-0530)
AT108-50 - 'A' Look
 (replaces MTE-0500)

Shipping Configurations



North America

*Subject to change to maximize container load

Dispensing solutions to grow your business!

We offer the widest array of options in the industry, customizing solutions to give you the functional capabilities, proprietary lock-outs features, and aesthetic choices you need to support your business strategy.



www.DispensingDynamics.com

Corporate Headquarters
 1020 Bixby Drive
 City of Industry, CA 91745
 U.S.A.
(1) 800-888-3698

International Sales Office
 19440 Enterprise Way
 Surrey, BC V3S 6J9
 Canada
(1) 888-225-7380

