

# Auto-Cut™ Towel Dispenser

**Hygienic hands-free mechanical dispensing in a full-sized unit with automatic roll transfer system**

## KEY OPERATING FEATURES

- No Touch:** Battery-free mechanical operation preventing any contact with dispenser
- Cutting System:** Auto-Cut for low pull force
- Stub Roll:** Self-threading auto transfer system to reduce run-outs and waste
- Paper Mode:** Exposed
- Activation:** Pull and cut

## CAPACITY

- Width:** Standard 8.0" (203mm); accommodates from 7.5" to 8.5" (191mm to 216mm)
- Diameter:** 8.0" (203mm)
- Sheet Length:** 11.0" (279mm)

## CONSTRUCTION

- Roll Holder:** Universal, with proprietary options available
- Modularity:** Replaceable module to lower repair costs
- Locks:** Generic, fixed or proprietary key available
- Material:** Break and chemical resistant plastic

## ADDITIONAL FEATURES

- Easy loading with quick access and exposed roll holders



**HF108-05**  
**White**



**HF108-05**  
**Black**



*The exclusive Auto-Cut system cuts the widest range of paper from 3 ply to the thinnest 2 ply*

*Reduced cost through advanced engineering provides simplistic entry level Auto-Cut with premium performance*

HF108-05

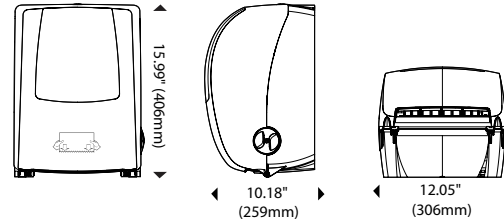
# Auto-Cut™ Towel Dispenser

Hygienic hands-free mechanical dispensing in a full-sized unit with automatic roll transfer system

## Dispenser Specifications:

Finish/Color: White cover and back housing  
Black cover and back housing

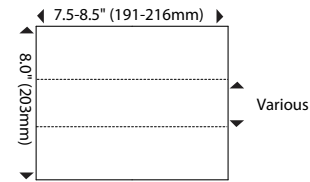
### Dispenser Dimensions



## Paper Specifications:

aper Capacity: 1 roll + stub roll  
Roll Width: 7.5" to 8.5" (191mm to 216mm)  
Roll Diameter: 8.0" (203mm)  
Roll Sheet: 11.0" (279mm)  
Core Size: Roll holders of various sizes, and proprietary options, are available

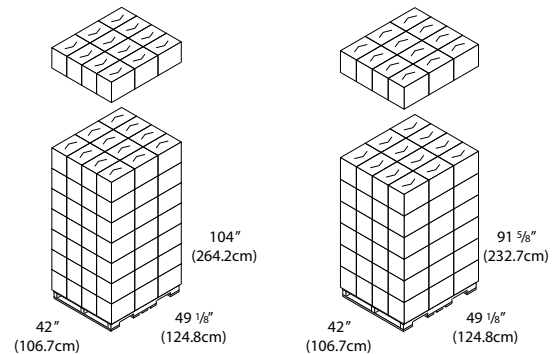
### Roll Dimensions



## Shipping Specifications:

Weight in Case: 6.9 lbs (3.1kg)  
Case Dimensions (L x W x H): 16 3/8" x 10 1/2" x 12 3/8" (416mm x 267mm x 314mm)  
Units per Case: 1  
**North America:**  
Cases/Pallet\*: 96  
Weight/Pallet\*: 707.4 lbs (320.9kg)  
**International:**  
Cases/Pallet\*: 84  
Weight/Pallet\*: 624.6 lbs (283.3kg)  
SKU: **HF108-05**

### Shipping Configurations



North America

International

\*Subject to change to maximize container load

### Dispensing solutions to grow your business!

We offer the widest array of options in the industry, customizing solutions to give you the functional capabilities, proprietary lock-outs features, and aesthetic choices you need to support your business strategy.

**Start dispensing value today!**  
[www.DispensingDynamics.com](http://www.DispensingDynamics.com)



**Corporate Headquarters**  
1020 Bixby Drive  
City of Industry, CA 91745  
U.S.A.  
**(1) 800-888-3698**

**International Sales Office**  
19440 Enterprise Way  
Surrey, BC V3S 6J9  
Canada  
**(1) 888-225-7380**

