

No Touch “Choice”™ 10” Roll Towel Dispenser

Our industry leading No Touch, now in a wider format, higher capacity roll for one towel per hand dry!

KEY OPERATING FEATURES

No Touch:	Battery-free mechanical operation preventing any contact with dispenser
Cutting System:	Patented Smart-Cut™ for industry's lowest pull force
Stub Roll:	Self-threading auto transfer system to reduce run-outs and waste
Paper Mode:	Exposed
Activation:	Pull and cut



SIZE

Width:	Standard 10.0” (254mm); accommodates from 9.5” to 10.25” (241mm to 260mm)
Diameter:	8.0” (203mm) max
Sheet Length:	12.0” (305mm)

HF110-50

CONSTRUCTION

Roll Holder:	Universal, with proprietary options available
Modularity:	Interchangeable module to lower repair costs
Locks:	Generic or fixed key
Material:	Break and chemical resistant plastic

ADDITIONAL FEATURES

- Easy loading with quick access and exposed roll holders




smart-cut™

Patented Smart-Cut™ advances and cuts the towel for the lowest mechanical pull force (1.7 lbs./ .77kg) and lowest tab-outs in the industry

HF110-50

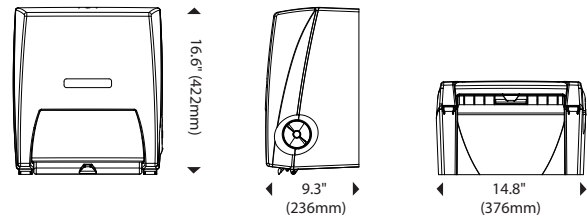
No Touch "Choice"™ 10" Roll Towel Dispenser

Our industry leading No Touch, now in a wider format, higher capacity roll for one towel per hand dry!

Dispenser Specifications:

Finish/Color: Transparent smoke cover;
black back housing

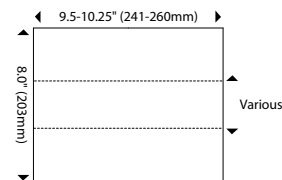
Dispenser Dimensions



Paper Specifications:

Paper Capacity: 1 roll + stub roll
Roll Width: 9.5" to 10.25" (241mm to 260mm)
Roll Diameter: 8.0" (203mm)
Sheet Length: 12.0" (305mm)
Core Size: Roll holders of various sizes, and proprietary options, are available

Roll Dimensions



Shipping Specifications:

Weight in Case: 7.4 lbs (3.4kg)
Case Dimensions (L x W x H): 17 1/8" x 14 15/16" x 10 1/4"
(435mm x 379mm x 260mm)
Units per Case: 1

North America:

Cases/Pallet*: 28
Weight/Pallet*: 280.2 lbs (127.1kg)

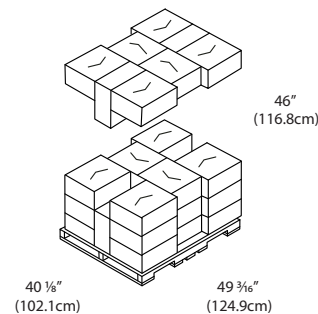
International:

Contact us for information

SKU:

HF110-50
(replaces PC-0903)

Shipping Configurations



North America

*Subject to change to maximize container load

Dispensing solutions to grow your business!

We offer the widest array of options in the industry, customizing solutions to give you the functional capabilities, proprietary lock-outs features, and aesthetic choices you need to support your business strategy.

Start dispensing value today!

www.DispensingDynamics.com



Corporate Headquarters
1020 Bixby Drive
City of Industry, CA 91745
U.S.A.
(1) 800-888-3698

International Sales Office
19440 Enterprise Way
Surrey, BC V3S 6J9
Canada
(1) 888-225-7380