

# Smoothcut™ Mechanical Roll Towel Dispenser

**Features ultra-quiet Mechanical Hands Free technology  
— no batteries required!**

## KEY OPERATING FEATURES

- Hands-Free:** Pull exposed paper downwards with two hands. No touching of the housing required
- Cutting System:** The exclusive Smoothcut dispenses a wide range of papers with low pull force and consistent sheet length
- Emergency Feed:** Available with push bar or turn knob option for emergency paper feed

## CAPACITY

- Roll Width:** Standard 8.0" (203mm); accommodates from 7.5" to 8.25" (191mm to 210mm)
- Roll Diameter:** Compact design holds up to 8" (203mm)
- Sheet Length:** Shorter 10" (254mm) sheet length provides more sheets per roll for paper savings

## CONSTRUCTION

- Roll Holder:** Supports core sizes from 1.1" to 2.6" (28-66mm) with proprietary options
- Modularity:** Interchangeable with EMS electronic Smoothcut module
- Locks:** Push button and "T-Key"
- Material:** Impact and chemical resistant plastic

## ADDITIONAL FEATURES

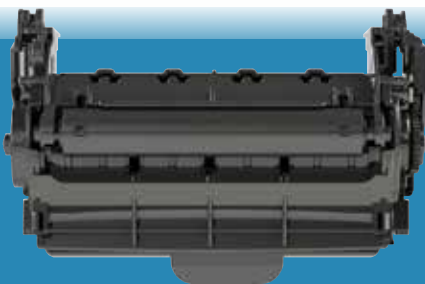
- Available in black or white cover and base with smoke or clear window
- Custom color and branding options available



**HS108-05  
Push Bar**



**HS108-05  
Turn Knob**



*The patented module cuts a wide range of papers with low pull force and consistent sheet length*

HS108-05

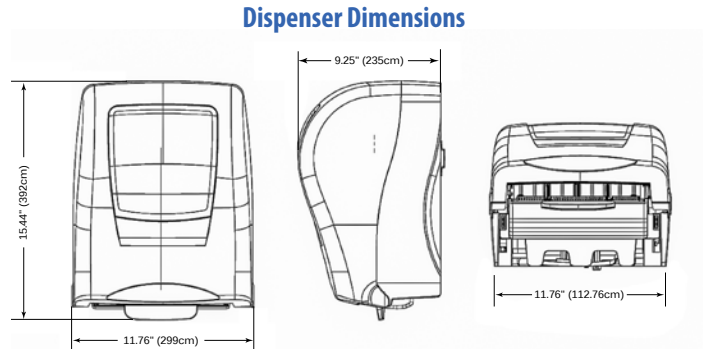
## Smoothcut™ Mechanical Roll Towel Dispenser

Hygienic hands-free operation with the wide array of custom-dispensing options

### Dispenser Specifications:

Finish/Color: White cover and back housing  
Black cover and back housing  
Smoke or clear window options

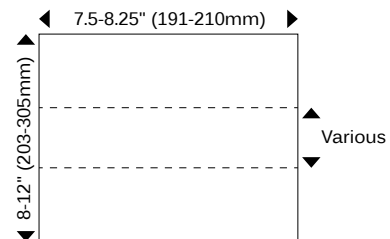
Manual overrides: Push bar override shown;  
turn knob also available



### Paper Specifications:

Paper Capacity: 1 roll  
Roll Width: 7.5-8.25" (191-210mm)  
Roll Diameter: 8.0" (203mm)  
Roll Sheet: 8", 10", 12" (203mm, 254mm, 305mm)  
Core Size: Roll holders from 1.1" to 2.6"  
(27-66mm) with proprietary options

### Roll Dimensions



### Shipping Specifications:

Weight in Case: 4.92 lbs (2.23kg)  
Case Dimensions  
(L x W x H): 14 7/8" x 11 3/4" x 10 1/4"  
(378mm x 298mm x 260mm)

Units per Case: 1

#### North America:

Cases/Pallet\*: 90  
Weight/Pallet\*: 483 lbs (219kg)

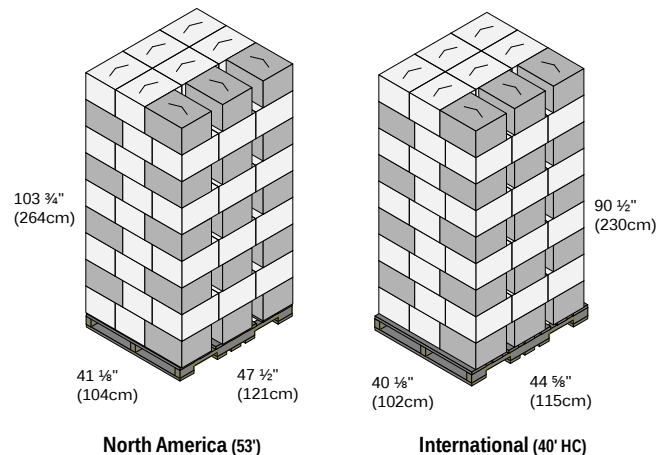
#### International:

Cases/Pallet\*: 81  
Weight/Pallet\*: 429 lbs (223.8kg)

SKU: **HS108-05**

\*Subject to change to maximize container load

### Shipping Configurations



### Dispensing solutions to grow your business!

We offer the widest array of options in the industry, customizing solutions to give you the functional capabilities, proprietary lock-out features, and aesthetic choices to support your business strategy.

**Start dispensing value today!**  
[www.DispensingDynamics.com](http://www.DispensingDynamics.com)



**DISPENSING  
DYNAMICS**

A Hunter Industries Company

#### Corporate Headquarters

1940 Diamond Street  
San Marcos, CA 92078  
U.S.A.

**+1 800-888-3698**

**+1 626-961-3691**