

7" Twin JBT Tissue Dispenser

Double coverage to eliminate run-outs, prevent waste and save labor by using one roll up before transferring to the second



KEY OPERATING FEATURES

- Sequential Use:** Auto transfer
- Orientation:** Lateral
- Spindle Function:** Fixed, rotating without knob, or rotating with knob
- Spindle Type:** Universal or proprietary

JT207-25
JT207-45
White

PAPER SIZE

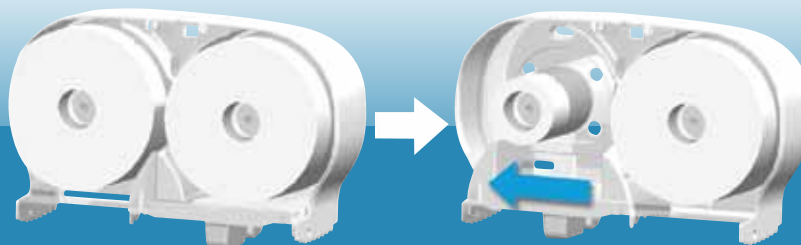
- Type:** Jumbo roll
- Diameter:** 7.0" (178mm)
- Core:** 1.5" to 3.3" (38mm to 84mm)

CONSTRUCTION

- Roll Capacity:** 2 rolls
- Material:** Tough, easy to clean industrial plastic
- Locks:** Generic, fixed or proprietary key available

ADDITIONAL FEATURES

- User friendly continuous flow technology
- Complete consumption of first roll before accessing second—eliminates stub roll waste
- Easy paper loading saves labor



Auto transfer system ensures complete consumption of first roll before accessing second

JT207-25 & JT207-45

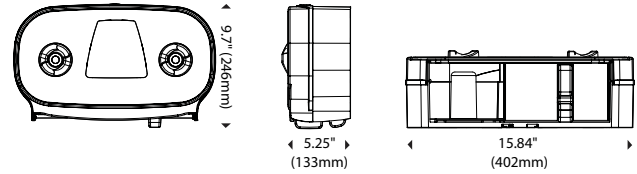
7" Twin JBT Tissue Dispenser

Double coverage to eliminate run-outs, prevent waste and save labor by using one roll up before transferring to the second

Dispenser Specifications:

Finish/Color: White cover and back housing

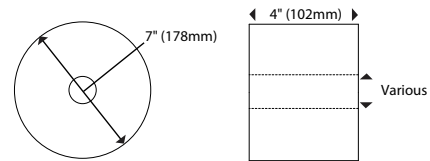
Dispenser Dimensions



Paper Specifications:

Paper Capacity: 2 rolls
 Roll Width: 4.0" (102mm)
 Roll Diameter: 7.0" (178mm) nominal
 Core Size: 1.5" to 3.3" (38mm to 84mm)

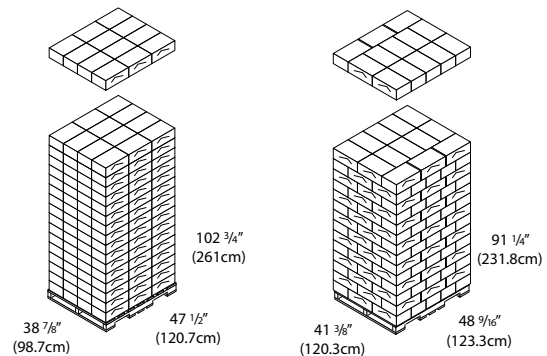
Roll Dimensions



Shipping Specifications:

Weight in Case: 3.0 lbs (1.4kg)
 Case Dimensions (L x W x H): 16 5/16" x 6 1/16" x 10 1/2" (414mm x 153mm x 267mm)
 Units per Case: 1
North America:
 Cases/Pallet*: 204
 Weight/Pallet*: 657.0 lbs (298.0kg)
International:
 Cases/Pallet*: 195
 Weight/Pallet*: 630.0 lbs (285.8kg)
 SKU: **JT207-25**
JT207-45

Shipping Configurations



North America

International

Dispensing solutions to grow your business!

We offer the widest array of options in the industry, customizing solutions to give you the functional capabilities, proprietary lock-outs features, and aesthetic choices you need to support your business strategy.

Start dispensing value today!
www.DispensingDynamics.com



Corporate Headquarters
 1020 Bixby Drive
 City of Industry, CA 91745
 U.S.A.
(1) 800-888-3698

International Sales Office
 19440 Enterprise Way
 Surrey, BC V3S 6J9
 Canada
(1) 888-225-7380



DISPENSING DYNAMICS™
 INTERNATIONAL