

Duplex “Choice”™ Two-Roll Tissue Dispenser

Space saving over/under design
with a double roll used sequentially
for no stub roll waste!

KEY OPERATING FEATURES

Sequential Use:	Manual transfer
Orientation:	Space saving over/under design
Spindle Function:	Fixed with brake mechanism
Spindle Type:	Universal or proprietary

PAPER SIZE

Type:	Conventional roll
Diameter:	5.0" (127mm)
Core:	Coreless, mini-core, or 1.5" to 3.3" (38mm to 84mm)

CONSTRUCTION

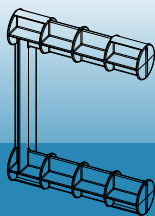
Roll Capacity:	2 rolls to prevent paper run-outs
Material:	Tough, easy to clean industrial plastic
Locks:	Generic or fixed key

ADDITIONAL FEATURES

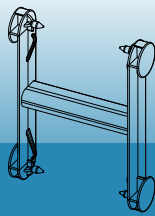
- Easy operation—push back on empty core for new roll to drop
- “C” mandrel for standard rolls or “H” mandrel for coreless, solid and mini-core rolls



UD205-50



C Mandrel



H Mandrel

Quick and intuitive to load with patented mandrel and self-alignment

UD205-50

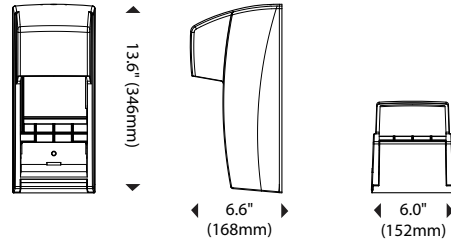
Duplex "Choice"™ Two-Roll Tissue Dispenser

Space saving over/under design with a double roll used sequentially for no stub roll waste!

Dispenser Specifications:

Finish/Color: Transparent smoke cover;
black back housing

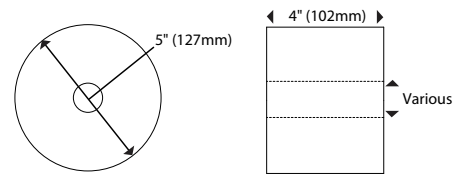
Dispenser Dimensions



Paper Specifications:

Paper Capacity: 2 rolls
 Roll Width: C Mandrel: 4.5" (114mm)
 H Mandrel: 3.815" to 4.0" (97mm to 102mm)
 Roll Diameter: C Mandrel: 5.75" (146mm)
 H Mandrel: 5.375" (137mm)
 Core Size: Coreless, mini-core, or 1.5" to 3.3" (38mm to 84mm)

Roll Dimensions



Shipping Specifications:

Weight in Case: 2.0 lbs (0.9kg)
 Case Dimensions (L x W x H): 6" x 6 1/4" x 14 1/4"
 (178mm x 159mm x 362mm)
 Units per Case: 1

North America:

Cases/Pallet*: 105
 Weight/Pallet*: 255.0 lbs (115.7kg)

International:

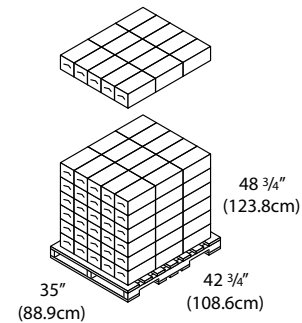
Contact us for information

SKU:

UD205-50

(replaces PC-0401/0412)

Shipping Configurations



North America

*Subject to change to maximize container load

Dispensing solutions to grow your business!

We offer the widest array of options in the industry, customizing solutions to give you the functional capabilities, proprietary lock-outs features, and aesthetic choices you need to support your business strategy.

Start dispensing value today!
www.DispensingDynamics.com



Corporate Headquarters
 1020 Bixby Drive
 City of Industry, CA 91745
 U.S.A.
(1) 800-888-3698

International Sales Office
 19440 Enterprise Way
 Surrey, BC V3S 6J9
 Canada
(1) 888-225-7380